



TLA™

Tank Level Alarm



Product data sheet



Main features:

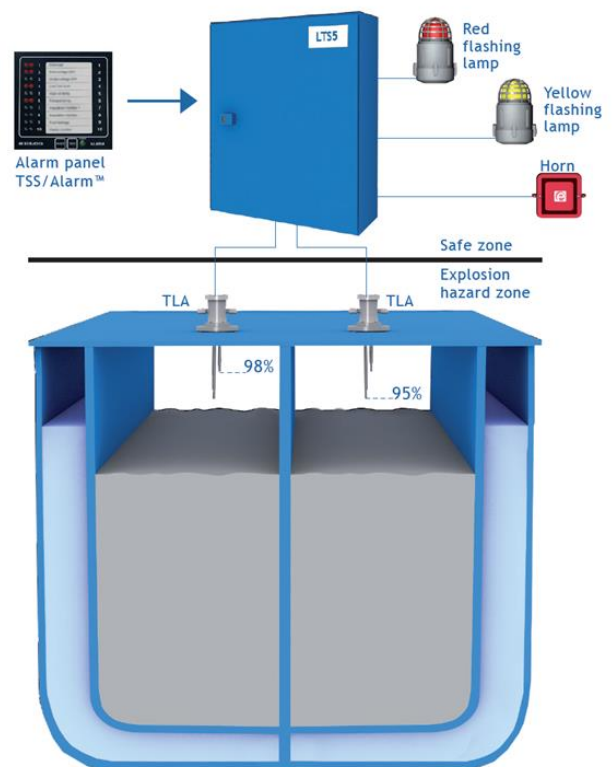
- Highly compact and economical solution
- Easy replacement of existing outdated sensors
- Fits any tank and can be adapted to any installation
- No moving parts or electronics inside the tank
- Low “total cost of ownership”

General description

The TLA™ is used for the detection of high (95%) and high-high (98%) levels in tanks. The TLA™ is installed on the deck of tankers, gas carriers, floating storages, FSO, FPSO, onshore storage tanks for oil, petroleum products and liquefied gas.

Build on the same patented acoustic wave technology as UTS™, TLA™ features a high level of accuracy, reliability and customizability.

The TLA™ represents a two-point level switch with alarm levels defined by the length of rods, which are produced on request. Built-in test buttons are used for performing a functionality test before filling the liquid, in accordance with the requirements of classification societies.





TLA™

Tank Level Alarm



Technical specifications

Output signal:		
	a) Current:	7mA/14mA
Repetition of actuation level:	Vertical installation:	3 mm
	Horizontal installation:	1 mm
Power supply voltage:		18 – 30 V DC
Power consumption:		less than 0,5 W
Ambient operating temperature:		-40°C to +85°C, (-55°C to +85°C), for IS -40°C to +57°C
Product temperature:		-55°C to +100°C
Length of rod:		Length on request
Relative ambient humidity:		up to 100% at 50°C
Response time:		1 sec. subject to actual programming
Protection rate:		IP67
MTBF:		50000 hrs
Housing type:		Stainless steel AISI 316L
Wetted parts:		Stainless steel AISI 316L (others on request)
Process connection:		
	a) Flange:	From DN 40 Others on request
Ex Protection:		Ex ia IIC T5(T6)

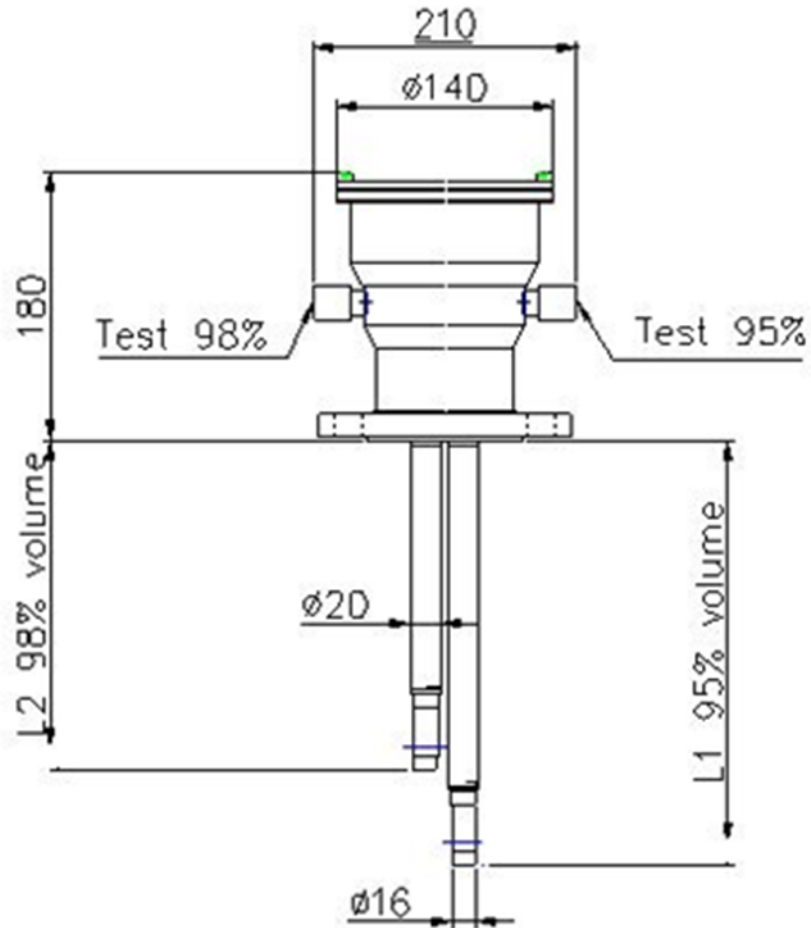


TLA™

Tank Level Alarm



Drawings



TLA level switch with DN50 flange.

(Example/illustrations only)



Order codes

TLA - [] [] [] - [] - [] [] [] [] - [] [] [] [] - [] [] - ([])

Connection

Flange DN 50 PN 10-16	F 5 0
Other	XXX

Product pressure

standard	0
pressure more than 0.11 Mpa	1

1st switch point

Length of 1st rod in mm L1	X X X X
----------------------------	---------

2nd switch point

Length of 2nd rod in mm L2	X X X X
----------------------------	---------

Output signal

Current 14 mA ("dry")/ 7 mA ("wet")	C 1
Current 7 mA ("dry")/ 14 mA ("wet")	C 2
Current: upper C1, lower C2	C 3
Current: upper C2, lower C1	C 4

Additional certification - if not needed, this section is left out

Det Norske Veritas (DNV)	D
Germanischer Lloyd (GL)	G
Lloyd's Register (LR)	L
Bureau Veritas (BV)	B
Russian Maritime Register of Shipping (RMRS)	M
American Bureau of Shipping (ABS)	U
Registro Italiana Navale (RINA)	I
Russian River Register (RRR)	R
other	X