



UPT™

Universal Pressure Transmitter



Product data sheet



(UPT – IP67, 1/2" thread)

Main features:

- Application versatility
- Plug-in electronic module
- Customized solutions
- Superior performance
- Easy installation
- General purpose pressure transmitters

General description

The UPT™ Pressure transmitter is designed for maritime applications, inside as well as open-deck installations. The UPT™ is used for measurement and detection of the pressure in tanks and pipeline installations onboard or ashore, for level measurement in service, ballast and slop tanks, as well as for draught measurement.

The UPT™ consists of a piezo sensing element and an electronic unit, encapsulated in a stainless steel (AISI 316L) house. The UPT™ can be supplied with various types of flange and thread connections, including a special extension for installation on top of tanks and reservoirs.

The UPT™ can also be delivered as IP68 construction and it meets the highest standards and extended requirements for arctic and cold climate operation within industrial equipment, marine and off-shore applications.



(UPT – IP68, 1" thread)



(UPT – IP67, flange)



Technical specifications

Transmitter Ranges:	According to API Marine coding sheet;
Accuracy:	+/-0,25% of the measured media and of 20°C +/5°C ambient temperature;
Output:	Current 4-20mA;
Power supply:	16-31 VDC;
Operating temperature:	-40°C to +80°C (-55°C to +80°C - special applications);
Protection class:	IP67/IP68;
Working pressure:	Max 40 MPa;
Housing type:	AISI316L;
Wetted parts:	AISI316L (other on request);
Relative humidity:	up to 100 % at 50°C;
Process connection:	
a) Thread:	From G 1/2, G1, 1NPT, M27x 1,5;
b) Flange:	From DN25 Others on request
Ex protection:	Ex ia IIC T4

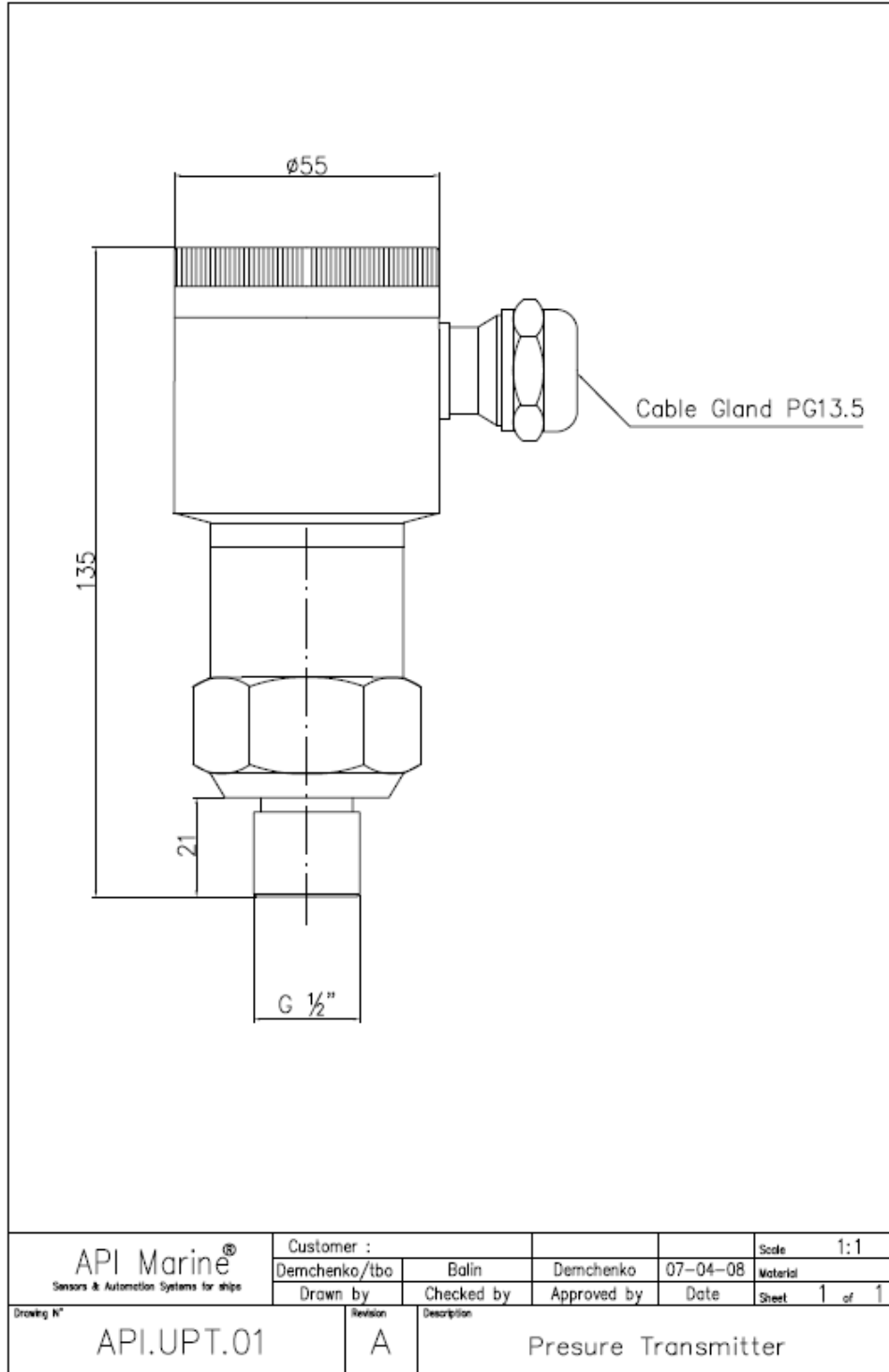


UPT™

Universal Pressure Transmitter



Drawings

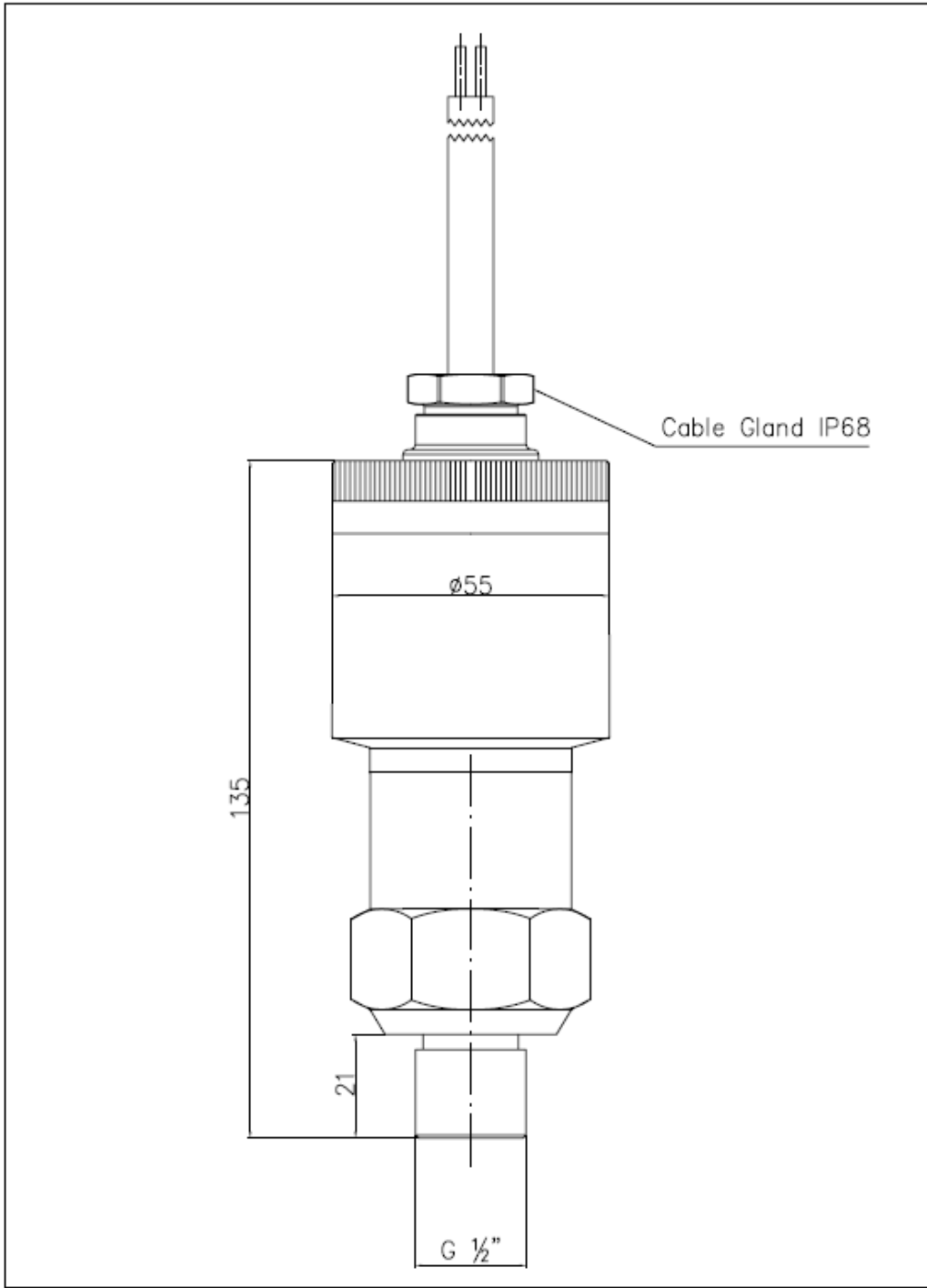


(Example/illustrations only)



UPT™

Universal Pressure Transmitter



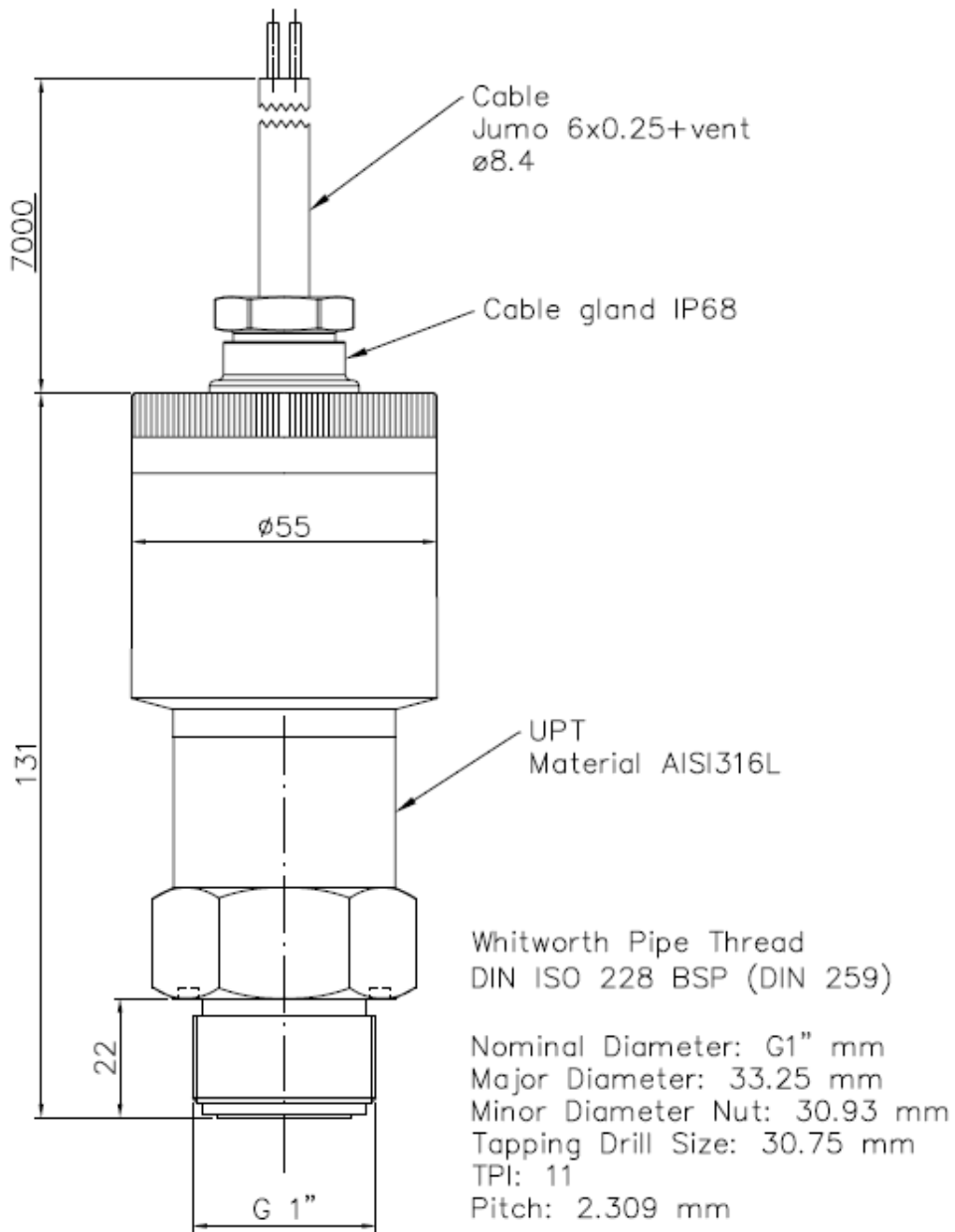
API Marine® Sensors & Automation Systems for ships	Customer :				Scale	1:1
	Demchenko/tbo	Balin	Demchenko	07-04-08	Material	
Drawing N°	Drawn by	Checked by	Approved by	Date	Sheet	1 of 1
API.UPT.05	Revision	Description				
	A	Pressure Transmitter				

(Example/illustrations only)



UPT™

Universal Pressure Transmitter



For Ballast, Tank Washing and Cargo Pumps

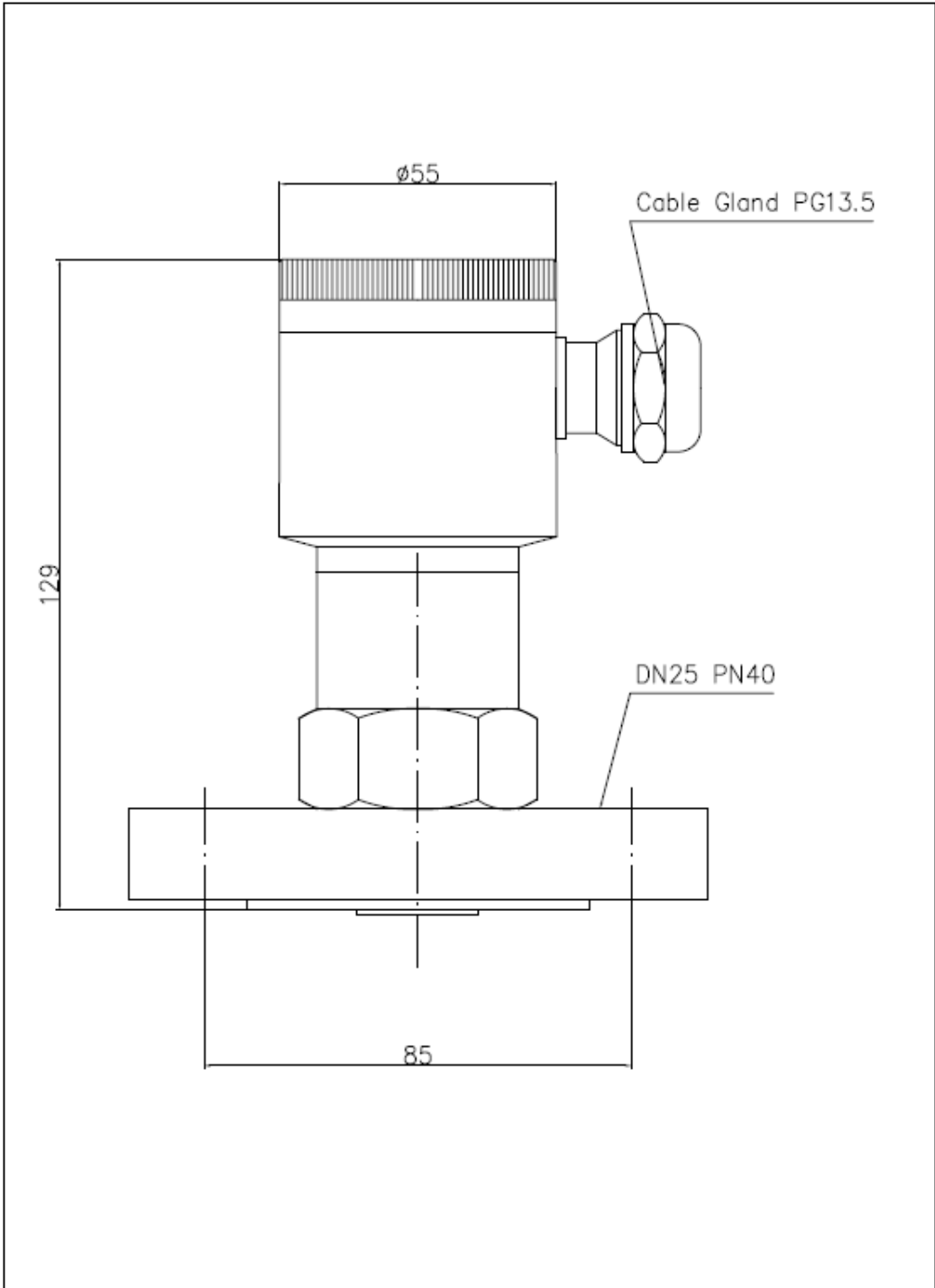
<p>API Marine® Sensors & Automation Systems for ships</p>	Customer : SOP0 SP0701/02			Scale 1:1
	Demchenko/tbo	Balin	Demchenko	20-10-09
Drawn by	Checked by	Approved by	Date	Material
Drawing N°	Revision	Description		
API.UPT.09	A	Pressure Transmitter IP68 G1" Relative		
				Sheet 1 of 1

(Example/illustrations only)



UPT™

Universal Pressure Transmitter



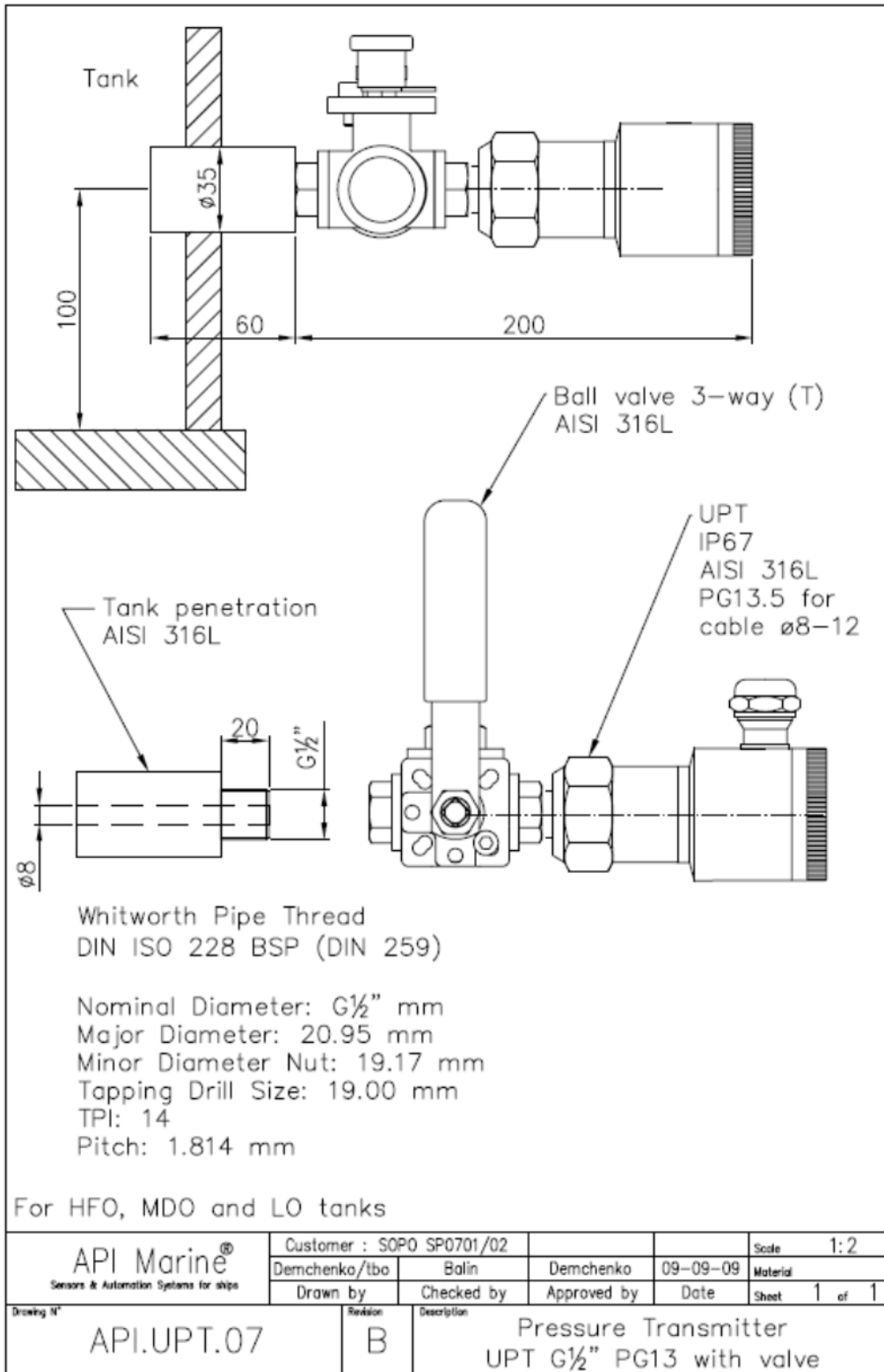
API Marine® Sensors & Automation Systems for ships	Customer :		Scale 1:1	
	Demchenko/tbo	Balin	Demchenko	25-03-09
Drawn by	Checked by	Approved by	Date	Material
Revision	Description	Sheet 1 of 1		
Drawing N° API.UPT.03	Revision A	Description Pressure Transmitter		

(Example/illustrations only)



UPT™

Universal Pressure Transmitter



(Example/illustrations only)



UPT™

Universal Pressure Transmitter



Order codes

UPT - [] - [] - [] - [] - [] - [] - [] - [] - ([])

Type of housing	
IP67 Standard	67
IP68 Submersible	68
M8 Submersible, protection level IP68, cylindrical, with outer diameter 27 mm	M8

Type of transmitter	
Absolute	A
Relative	R
Differential	D
Barometric	B

Range	Code	Range	Code
0 - 0,10 bar	0 B 1 0	0-1,0 w cm	0 1 W 0
0 - 0,16 bar	0 B 1 6	0-1,6 w cm	0 1 W 6
0 - 0,25 bar	0 B 2 5	0-2,5 w cm	0 2 W 5
0 - 0,40 bar	0 B 4 0	0-4,0 w cm	0 4 W 0
0 - 0,60 bar	0 B 6 0	0-6,0 w cm	0 6 W 0
0 - 1,0 bar	0 1 B 0	0-10 w cm	0 1 0 W
0 - 1,6 bar	0 1 B 6	0-16 w cm	0 1 6 W
0 - 2,5 bar	0 2 B 5	0-25 w cm	0 2 5 W
0 - 4,0 bar	0 4 B 0	0-40 w cm	0 4 0 W
0 - 6,0 bar	0 6 B 0	0-60 w cm	0 6 0 W
0 - 10 bar	0 1 0 B		
0 - 16 bar	0 1 6 B		
0 - 25 bar	0 2 5 B		
0 - 40 bar	0 4 0 B		
0 - 60 bar	0 6 0 B		
0 - 100 bar	1 0 0 B		
0 - 160 bar	1 6 0 B		
0 - 250 bar	2 5 0 B		
0 - 400 bar	4 0 0 B		
On request		X X X X	

B - bar
K - kPa
M - MPa
W - wcm
G - kgf/cm²
Z - +/-

Connection type	
Thread BSP 1/2"-M	G 1 2
Thread BSP 1"-M	0 1 G
Flange DN 25 PN10-40	F 2 5
On request	X X X

Type of membrane	
Normal	N
Chemical resistant	C

Cable input, cable length	
PG13.5	P 1 3
M24x1.5 inner thread	M 2 4
M20x1.5 inner thread	M 2 0
Special for IP68, specify cable length in meters	X X X

Explosion protection	
Standard type	0
Spark-proof type Ex ia IIC T5(6)	1

Additional certification - if not needed, this section is left out	
China Classification Society (CCS)	C
Det Norske Veritas (DNV)	D
Germanischer Lloyd (GL)	G
Lloyd's Register (LR)	L
Bureau Veritas (BV)	B
Russian Maritime Register of Shipping (RMRS)	M
American Bureau of Shipping (ABS)	U
Registro Italiana Navale (RINA)	I
Russian River Register (RRR)	R
other	X