

Product data sheet



Main features:

- Easy installation
- Customized solutions
- Resistant to aggressive media
- Resistant to temperature drop
- Easy connection to most interfaces

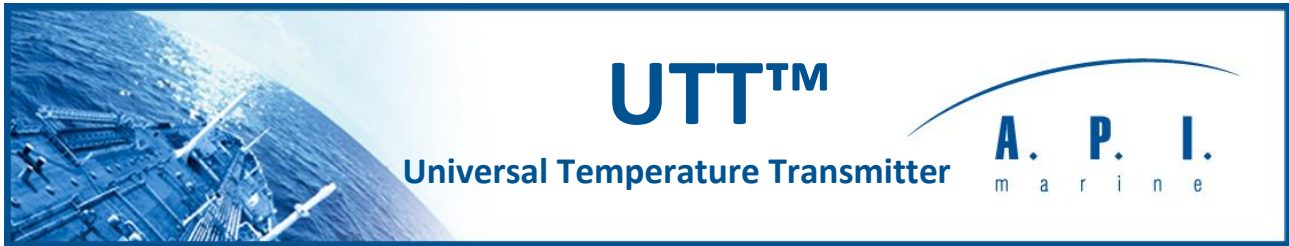
General description

The UTT™ is designed for use in harsh industrial environments where reliable, robust and accurate equipment is required.

The UTT™ is characterized by a reinforced housing manufactured in stainless steel and the option of open-air installation.

The option of ordering the sensor with the required probe length, with or without a thermowell, in explosion-proof or standard construction, with any thread or flange connection makes the UTT™ the most convenient solution for most ship applications.





Technical specifications

Output signal:

- a) Current: current 4 ... 20 mA, 2-wire connection;
current 4 ... 20 mA and via HART protocol, 2-wire connection;

Power supply voltage: 16-31 VDC;

Protection rate: IP67, IP68

Operating temperature: -40° to +80° (-55° to +80° - special applications);

Product temperature: -200°C to +400°C

Length of rod: On request, standard 150 mm

Measurement range: From minus 55°C to plus 200°C

Process connection:

a) Thread: From G 1/2, G1, 1NPT, M27x 1,5;

b) Flange: From DN25
Others on request

Cable input: PG13.5

Housing type: AISI316L;

Wetted parts: AISI316L (other on request);

Ex protection: Ex ia IIC T4

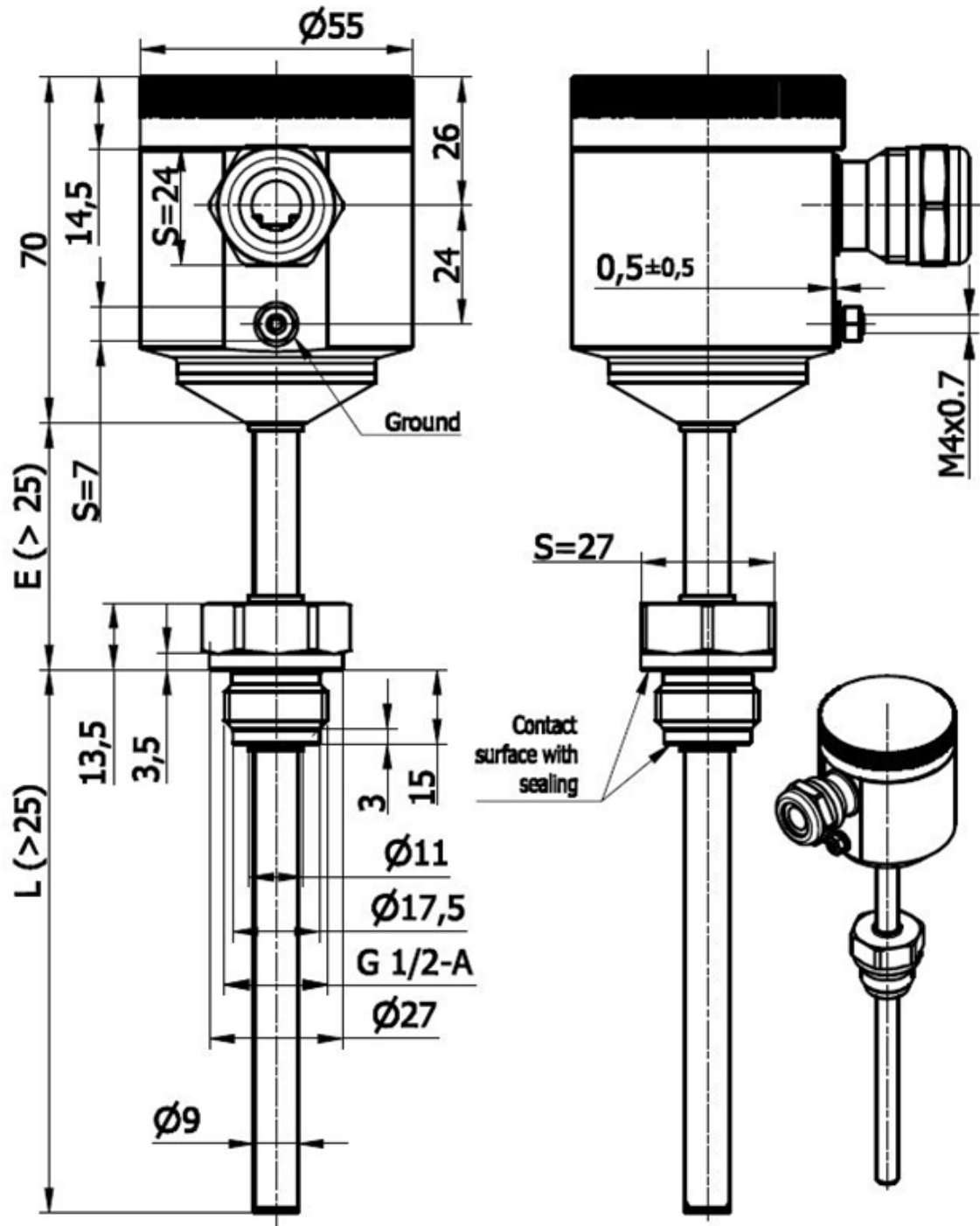


UTT™

Universal Temperature Transmitter



Drawings



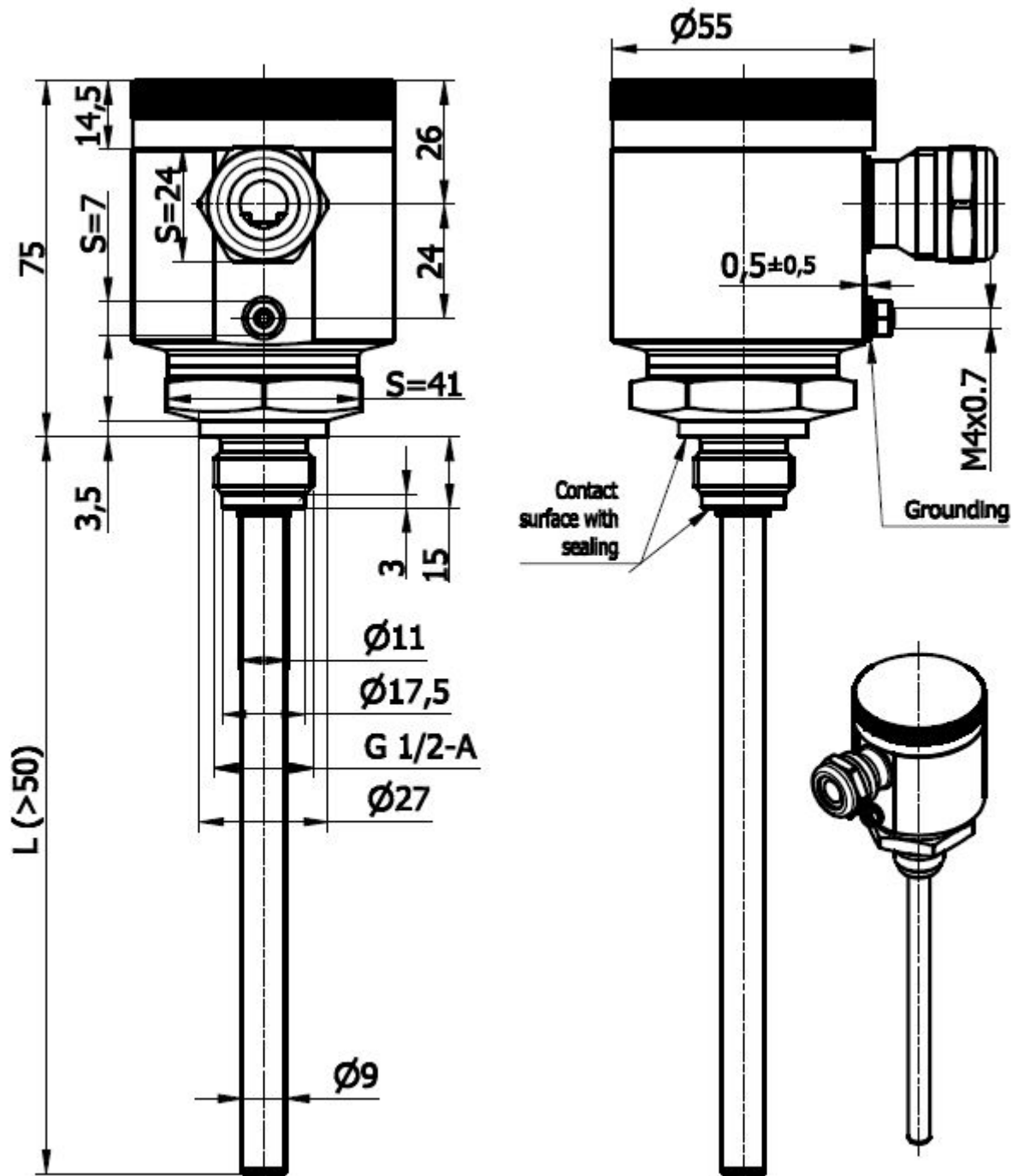
(Example/illustrations only)



UTT™

Universal Temperature Transmitter

A. P. I.
marine



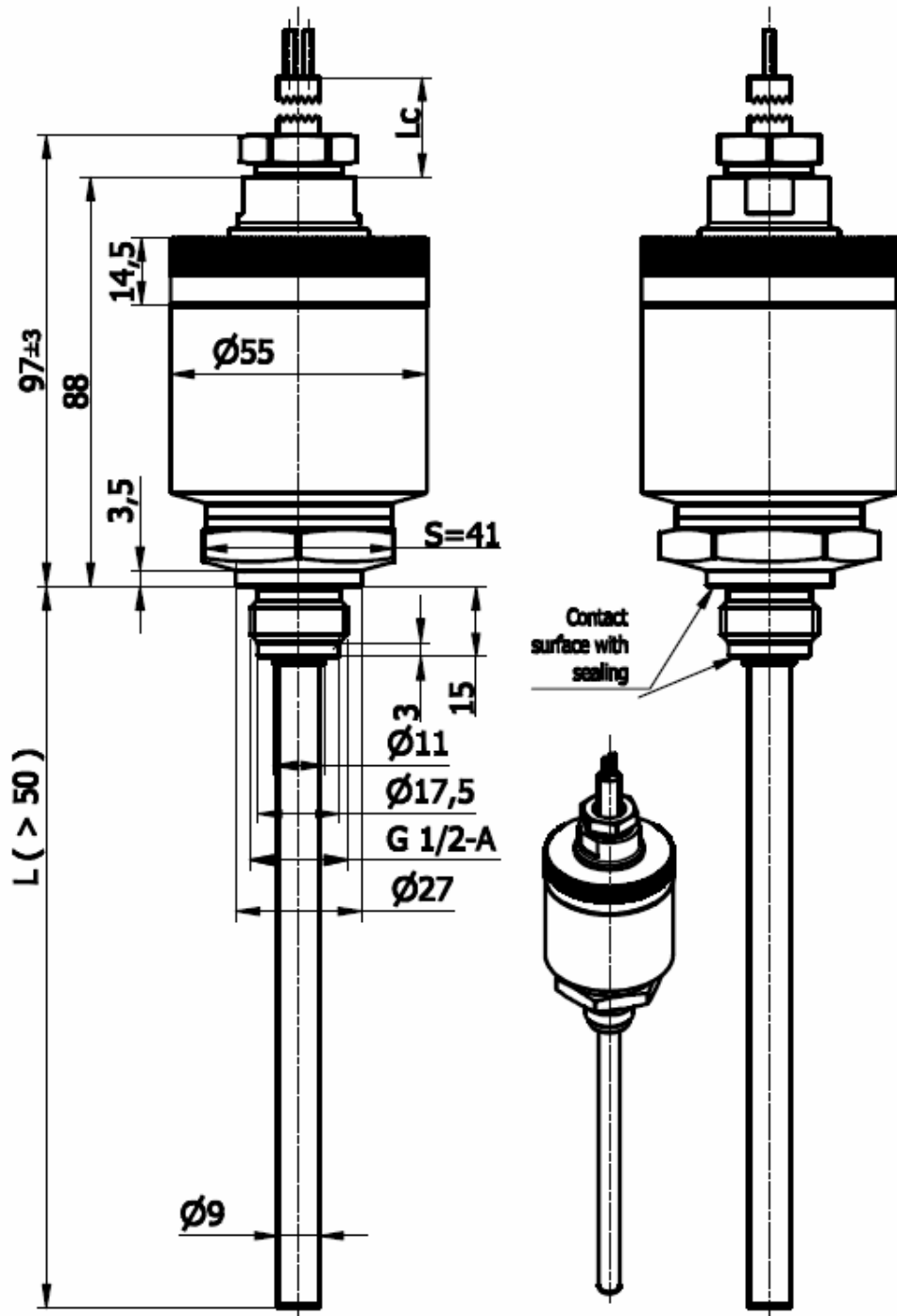
(Example/illustrations only)



UTT™

Universal Temperature Transmitter

A. P. I.
marine



(Example/illustrations only)



UTT™

Universal Temperature Transmitter



Order codes

UTT - L - - - - -IS - -TW -

Length of probe

Length 50 mm	0 5 0
Length 100 mm	1 0 0
Length 150 mm	1 5 0
Length 200 mm	2 0 0
Other length in mm	X X X

Measurement range

Lower limit in °C	- X X X
Upper limit in °C	+ X X X

Output signal

Pt 100, 3-wire connection	A
4-20 mA, 2-wire connection	B
4-20 mA + HART, 2-wire connection	C

Type and size of connection

Pipe cylindrical thread 1/2 inch	G 1 2
Flange DN 25 PN10-40	F 2 5
On request	x x x

Explosion protection

Standard type	0
Spark-proof type Ex ia IIC T5(6)	1

Cable input

PG13	P 1 3
M24x1.5 inner thread	M 2 4
M20x1.5 inner thread	M 2 0
Special for IP68, specify cable length in meters	X X X

Thermopocket

Not included	0
Included, stainless steel	1
Included, bronze	2

Additional certification - if not needed, this section is left out

China Classification Society (CCS)	C
Germanischer Lloyd (GL)	G
Russian Maritime Register of Shipping (RMRS)	M
American Bureau of Shipping (ABS)	U
other	X